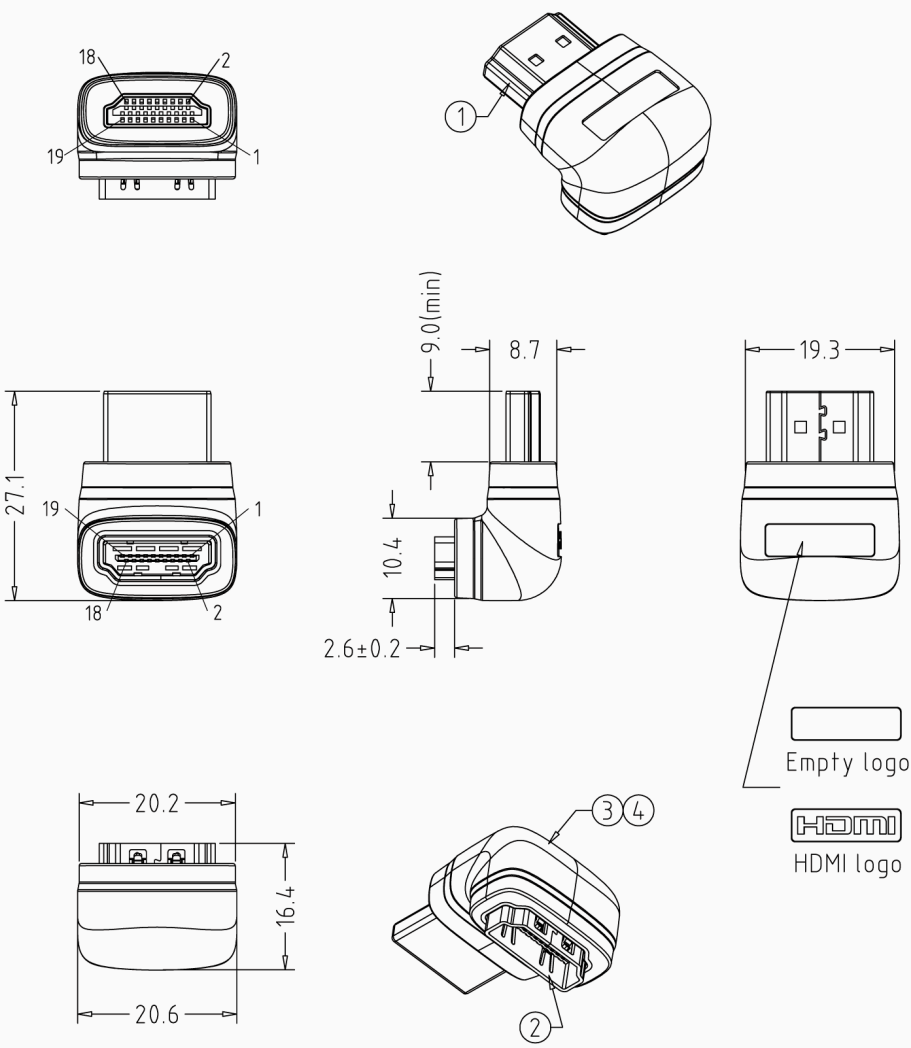


1	2	3	4	5	6	7	8			
CUSTOMER	CUST P/N			REV	ZONE	LTR	DESCRIPTION	DATE	REVISER	APPD
ALL(Customer)										



**PIN ASSIGNMENT:**

HDMI 19M(A)	HDMI 19F(B)
3	3 TMDS data2-
1	1 TMDS data2+
2	2 TMDS data2 Shield
6	6 TMDS data1-
4	4 TMDS data1+
5	5 TMDS data1 Shield
9	9 TMDS data0-
7	7 TMDS data0+
8	8 TMDS data0 Shield
12	12 TMDS Clock-
10	10 TMDS Clock+
11	11 TMDS Clock Shield
17	17 DDC/CEC Ground
13	13 CEC
15	15 SCL
16	16 SDA
14	14 Reserved
18	18 +5V Power
19	19 Hot Plug Detect
SHELL	SHELL

**RoHS Compliant**

**ELECTRICAL CHARACTER:**  
 1)100% OPEN&SHORT TESTING  
 2)WITHSTANDING VOLTAGE:DC 300V 0.01Sec  
 3)INSULATION RESISTANCE:10M Ohm(Min)  
 4)CONDUCTIVE RESISTANCE:2 Ohm(Max)

4	Overmold	PVC 70Pa UL94V-0	
3	Innermold	PE Low density	
2	Conn	HDMI 19P/Female insulator-black plated DIP type	
1	Conn	HDMI 19P/Male insulator-black plated Solder type With A(M) TO A(F) 270° PCB	

NO.	PART NAME	SPEC DESCRIPTION	REMARK
INNERMOLD		TOLERANCE UNSPECIFIED .x x x ± .x x ± .x ± ANGLE ±	 SCALE NON UNIT mm
OVERMOLD		DRAWN: Daniel DESIGNER: CHECKED: APPROVED:	
		NAME LKHA012 HDMI 270Grad Adapter	SHEET 1/1
		DRAWING NO. 1901153	REV 1.0